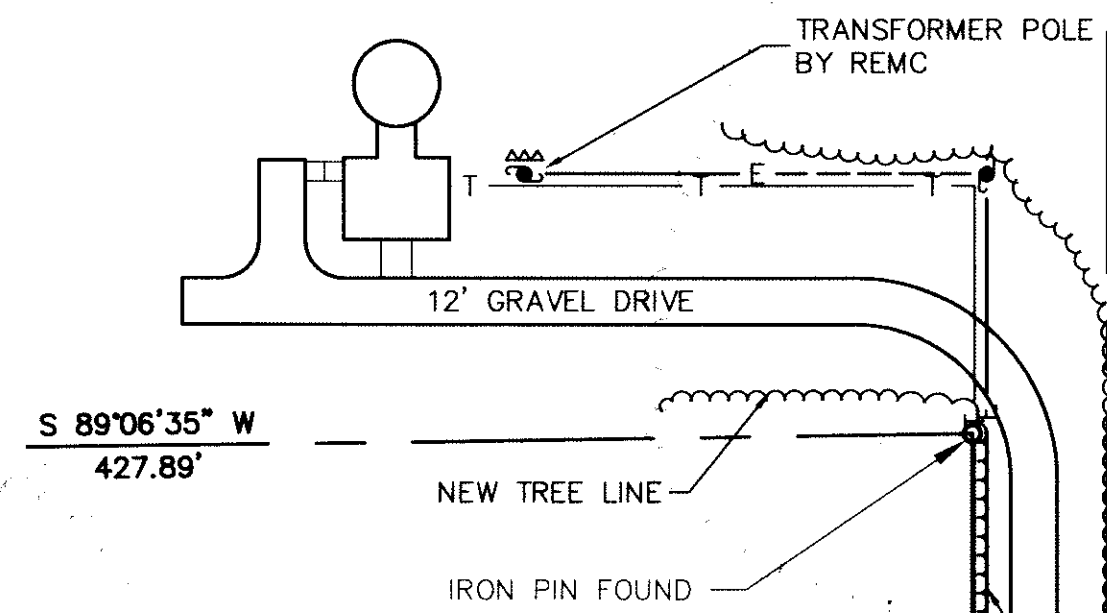


N 00°00'30" W  
643.89'

EXIST. TREE LINE



EXIST. FENCE AROUND GUY WIRES

CLEAR TREES AND BRUSH TO PROPERTY LINE

EXIST. FENCE AROUND C.G. & E. BUILDING AND TRANSMISSION TOWER

12.47 KV O.H., 3 PHASE DISTRIBUTION LINE BY REMC

### SITE PLAN

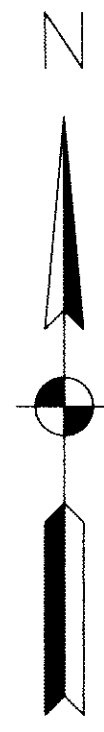
SCALE: 1" = 50'

EXIST. OVERHEAD POWER LINE

TBM NO. 1  
R.R. SPIKE ON N. SIDE OF PWP  
ELEV. = 978.58

LOOKOUT RD.

N 89°35'14" W 35.00'



COAXIAL CABLE IN 1" HWPVC CONDUIT INSTALL IN 20'-0" OF 4" R.G.S. CONDUIT UNDER DRIVE.

MICROWAVE TOWER W/ ANTENNA (FOR SCADA) SEE DETAIL, SHEET 6.

24" x 24" x 48" DEEP W/ 36" x 44" SLAB

36" x 44" x 48" DEEP

ALUMINUM POLE W/ 250W HPS LIGHT. REFER TO LIGHTING SCHEDULE.

SERVICE ENTRANCE MASTHEAD

1" HWPVC COAXIAL CABLE TO WELL FIELD FOR SCADA. CONTRACTOR. SEE DETAIL SHEET B5.

480VOLT O.H. SECONDARY BY REMC. W/ METERING CABINET.

TRANSFORMER POLE AND 3 PHASE TRANSFORMER BANK (BY REMC) (12.47 KV-480VOLT)

12.47 KV O.H., 3 PHASE BY REMC

1" HWPVC CONDUIT W/ COAXIAL CABLE

12' GRAVEL DRIVE

3/4" R.G.C. (2'-0") MIN. DEPTH 3 #12, TO SITE LIGHT.

S 89°06'35" W  
427.89'

### ENLARGED SITE PLAN

SCALE: 1" = 20'

NEW TREE LINE

IRON PIN FOUND

GTE TELEPHONE O.H. SERVICE

S 00°00'00" E  
1317.55'

### PLAN NOTES:

- COORDINATE ELECTRICAL SERVICE REQUIREMENTS AND LOCATION WITH THE SOUTHEASTERN DISTRICT, REMC (TELEPHONE # 812/757-4111). INSTALL METERING POLE, CONDUIT AND METERING CABINET AS REQUIRED BY THE REMC.
- INSTALL SERVICE ENTRANCE IN CONFORMANCE WITH THE REMC REQUIREMENTS.
- COORDINATE TELEPHONE SERVICE REQUIREMENTS AND LOCATION WITH GTE TELEPHONE COMPANY, (TELEPHONE # 800/225-7187)
- ALL UNDERGROUND CONDUIT SHALL BE INSTALLED A MINIMUM OF 2'-0" BELOW GROUND. R.G.C. SHALL HAVE 2 COATS BITUMINOUS PAINT.
- INSTALL SCADA CONTROL SYSTEM UNDER CONTRACT B.
- REFER TO APPLICABLE SECTIONS OF THE SPECIFICATIONS.

### LEGEND

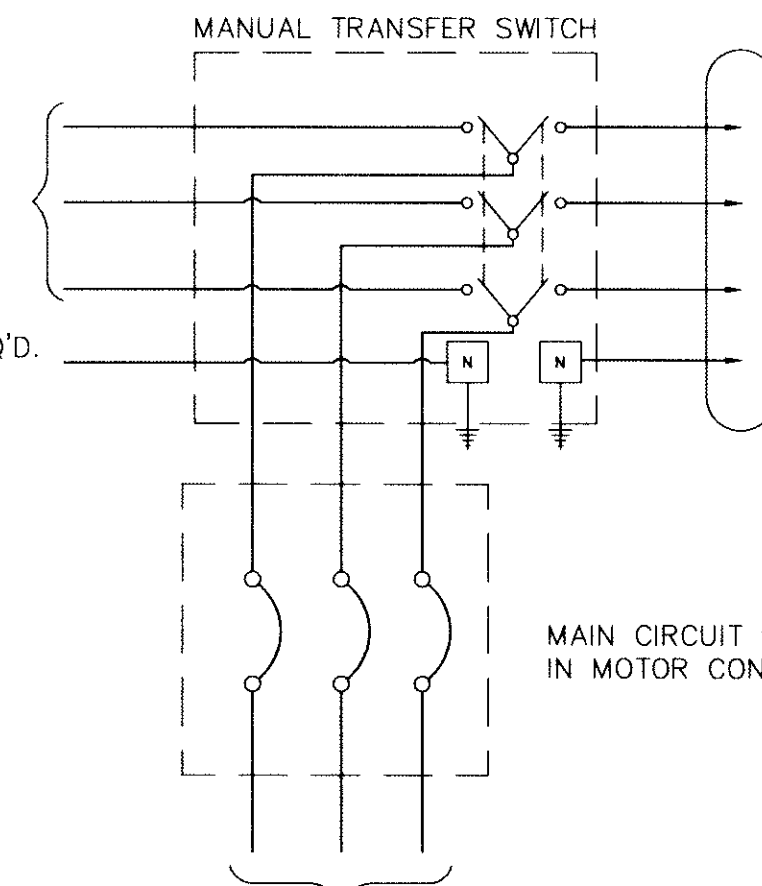
- UTILITY POLE
- TRANSFORMER POLE
- LIGHT POLE
- TELEPHONE OR TELEMETERING (SCADA)
- ELECTRIC LINE
- UNDERGROUND CONDUIT
- MICROWAVE TOWER W/ ANTENNA

### RECORD DRAWINGS

THESE DRAWINGS HAVE BEEN PREPARED FROM INFORMATION BY OTHERS. ENGINEER WILL NOT BE RESPONSIBLE FOR ERRORS AND OMISSIONS IN THE INFORMATION OR RECORDS FROM WHICH THESE DRAWINGS ARE PRODUCED.

THREE PHASE SERVICE FROM REMC

NEUTRAL (AS REQ'D. BY REMC)



NOTE:  
NON-LOAD BREAK MANUAL TRANSFER SWITCH. DISCONNECT ALL POWER BEFORE TRANSFERRING POWER FROM ONE SOURCE TO THE OTHER

### MANUAL TRANSFER SWITCH ELECTRICAL DIAGRAM

SCALE: NONE

CONTRACT "B"  
WELLS AND TREATMENT FACILITIES  
ELECTRICAL SITE PLAN AND DETAILS  
ELROD WATER COMPANY, INC.  
DIVISION "E"  
WATERWORKS SYSTEM IMPROVEMENTS

M.D. WESSLER *assoc.*  
ASSOCIATES  
CONSULTING ENGINEERS  
6219 South East Street, Suite A  
Indianapolis, Indiana 46227-2148

SCALE:	AS SHOWN
DATE:	OCT. 14, 1993
PROJECT NO.:	37391.04
DRAWN BY:	M.A.W.
APPROVED BY:	M.D.W.
PLOTTED:	4/14/94
CAD FILE:	373-B15.DWG

NOT PUBLISHED  
ALL RIGHTS RESERVED  
EXCEPT FOR USES EXPRESSLY PERMITTED IN WRITING, INFORMATION SHOWN OR INCLUDED IN THIS DOCUMENT IS SOLELY THE PROPERTY OF M.D. WESSLER & ASSOCIATES, INC.

