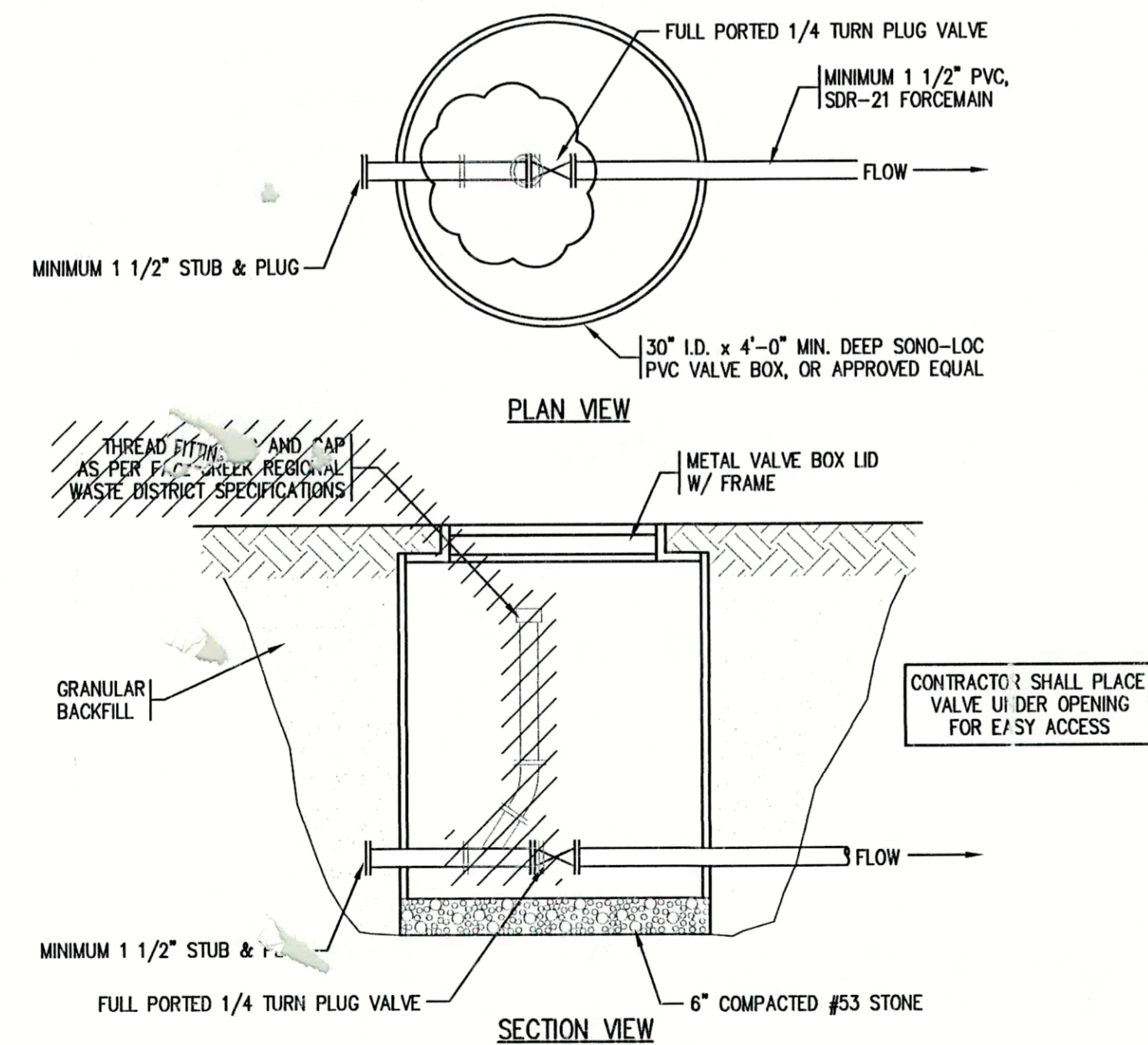


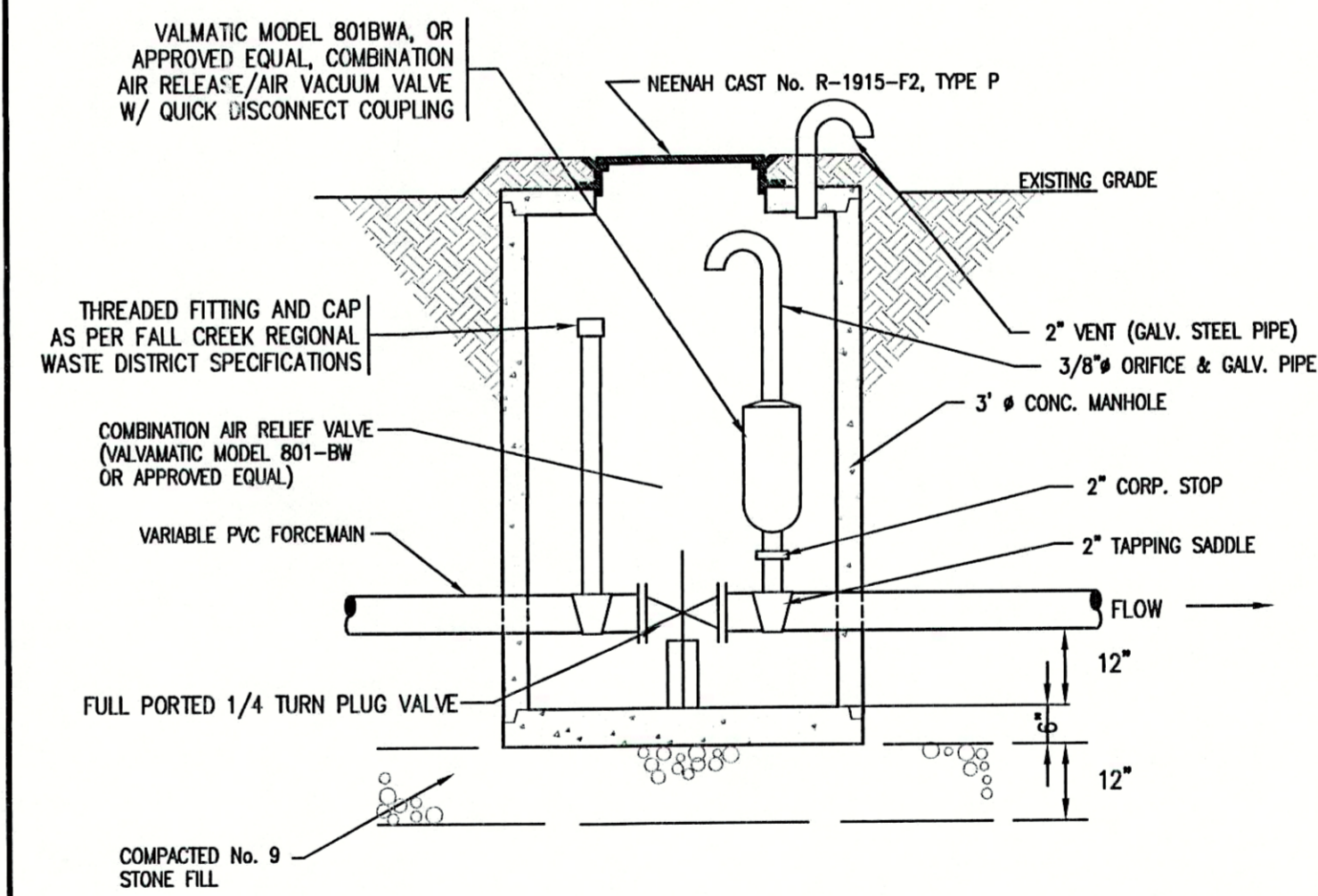
RECORD DRAWING

August 23, 2001



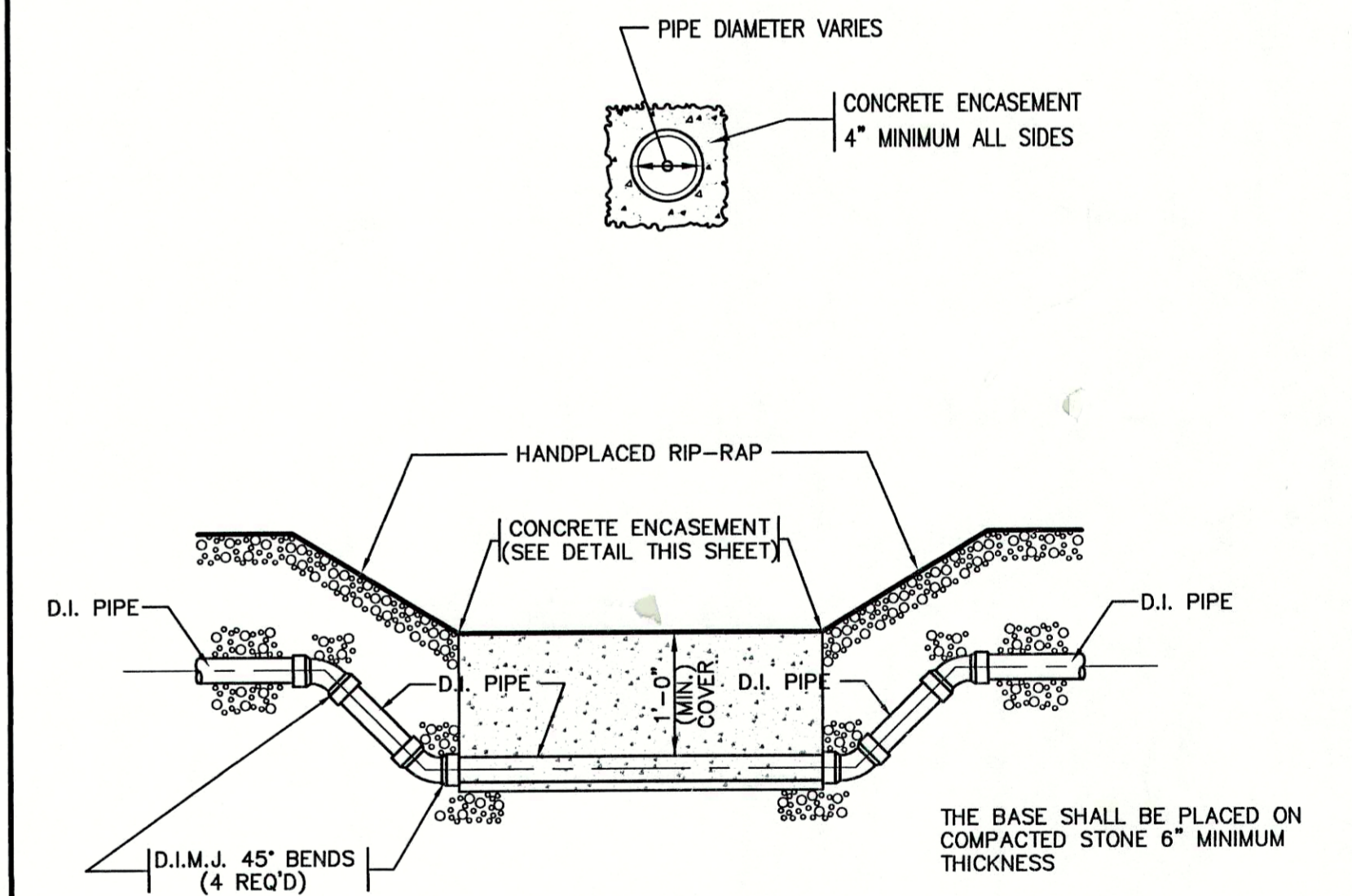
STANDARD SERVICE CONNECTION VALVE VAULT

0 NOT TO SCALE



VALVE VAULT w/ AIR / VAC RELIEF STRUCTURE

0 SCALE: N.T.S.



TYPICAL CREEK CROSSING

0 SCALE: N.T.S.

FILE NAME: SUN_DET2R-RD PLOT SCALE: 1=1 PLOT DATE: 11/06

NO.	DATE	DESCRIPTION	BY

TRIAD ASSOCIATES INC.
 INDIANAPOLIS, INDIANA

APPROVED BY: THOMAS M. SCHUBERT
 No. 15614
 STATE OF INDIANA
 REGISTERED PROFESSIONAL ENGINEER

SUNVIEW, ALFONTO, REFORMATORY ROAD
 FALL CREEK REGIONAL WASTE DISTRICT
 STANDARD SANITARY SEWER DETAILS

DRAWN BY: DAP	DATE: 04/12/98	PROJECT No. 98008A	SHEET No. 33
DESIGNED BY: D.A. Pauling	SCALE: AS NOTED	CHECKED BY: James W. Frazell, P.E.	OF 33